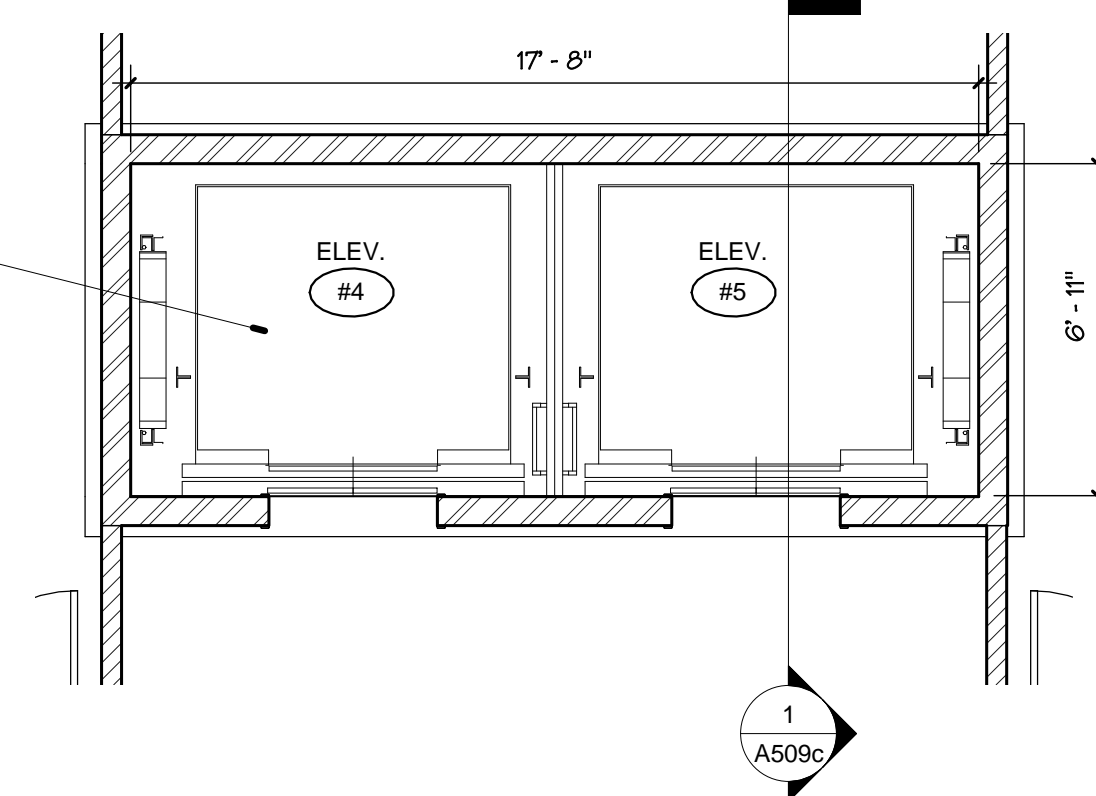
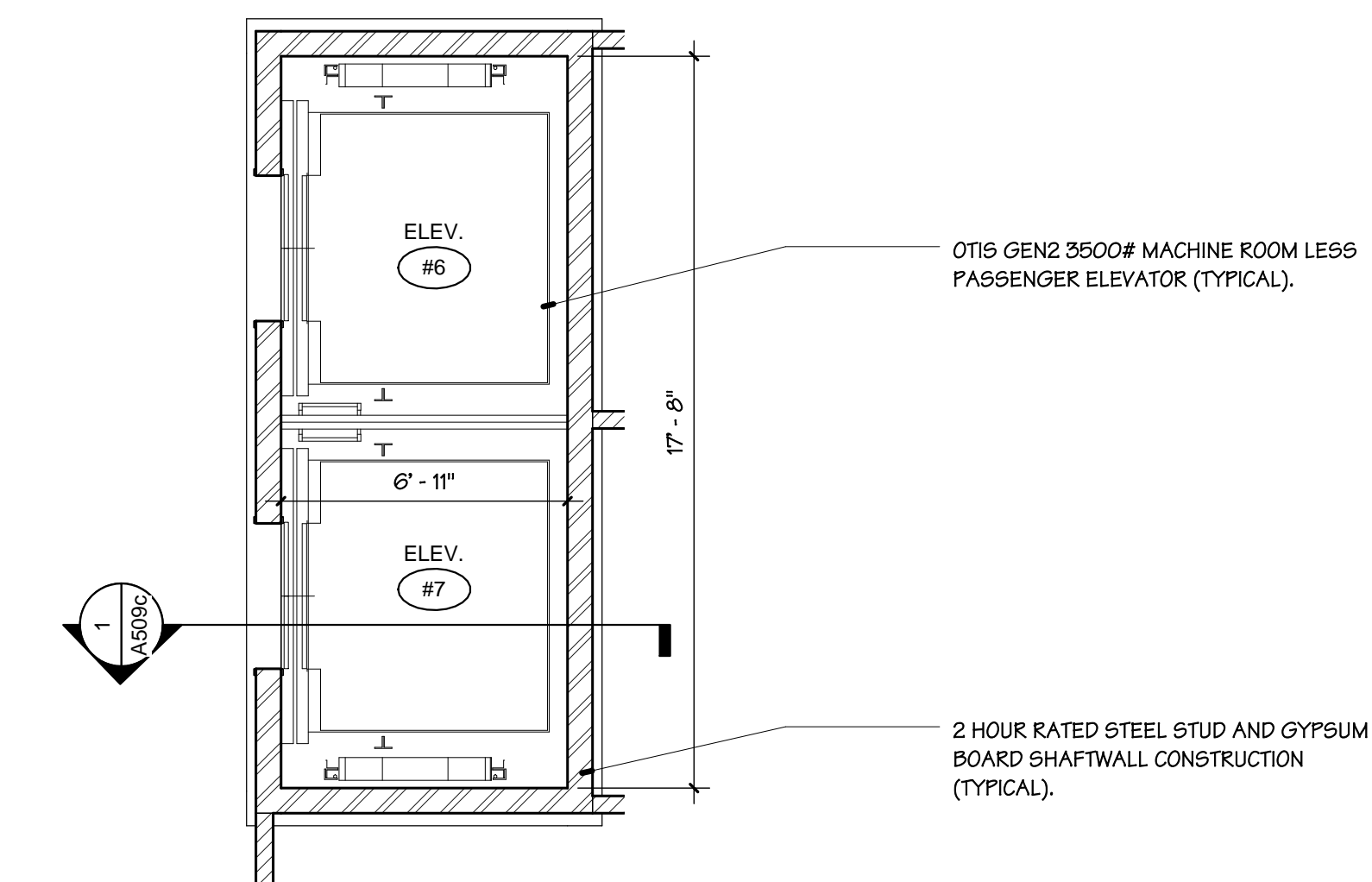


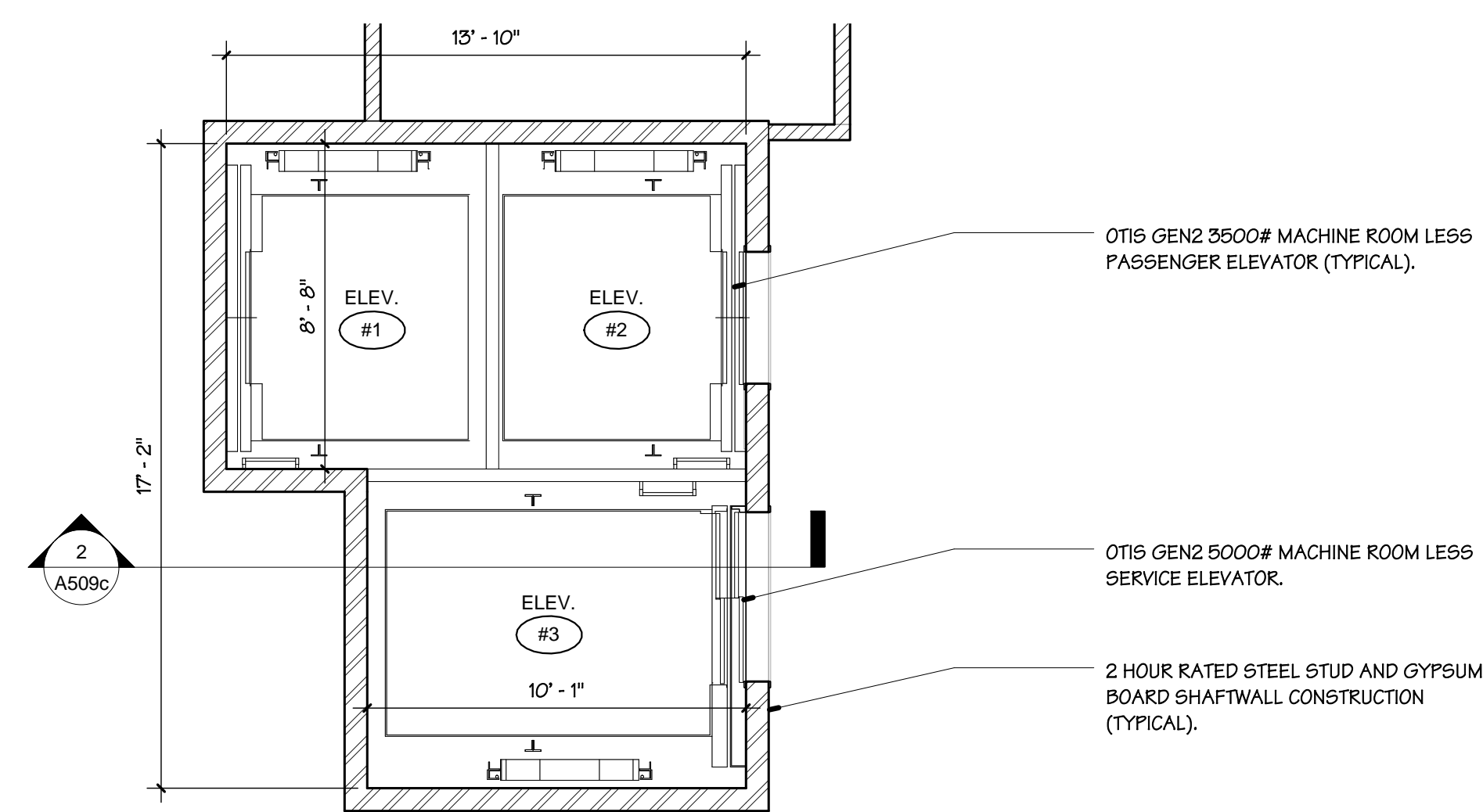
1 Elevator 1-3 - 1st Floor & 5th Floor
SCALE: 1/4" = 1'-0"



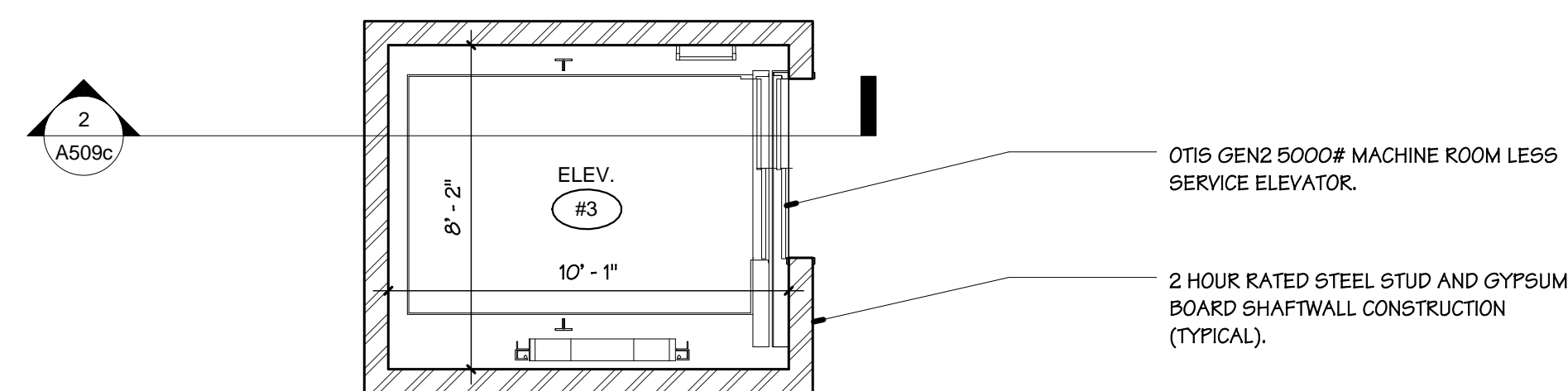
2 Elevator 4-5 - Typ. Floor
SCALE: 1/4" = 1'-0"



3 Elevator 6-7 - Typ. Floor
SCALE: 1/4" = 1'-0"



4 Elevator 1-3 - 2nd, 3rd, 4th Floor
SCALE: 1/4" = 1'-0"



5 Elevator 3 - Penthouse Floor
SCALE: 1/4" = 1'-0"

Consultants

Civil Engineer
F. A. Hesketh & Associates, Inc.
(860) 653-8000
Landscape Architect
CR3
(860) 658-1988
Structural Engineer
Szwedzak Associates
(860) 677-4570
MEP Engineer
BVH Integrated Services
(860) 286-9171

Pratt & Whitney
A United Technologies Company
Headquarters - Engineering Building
Building Core and Shell
East Hartford, Connecticut

Revisions

Date: --
Scale: 1/4" = 1'-0"
Project Number: 14061.02
Drawn By: EBF

Enlarged Elevator Plans

DESIGN DEVELOPMENT
NOT FOR CONSTRUCTION
4/01/2015

A508c